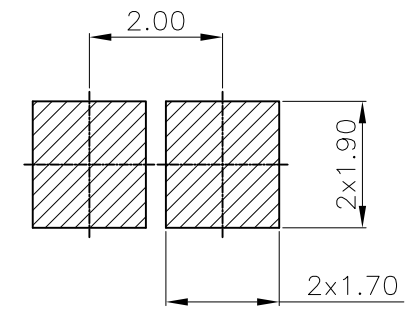


版次	描述	日期	设计
A	Preliminary release	2021.01.18	Rick.Chen

NOTES:  
 1.MATERIAL:  
 1-1 PLUNGER&TUBE:COPPER ALLOY  
 1-2 SPRING:STAINLESS STEEL 304  
 1-3 HOUSING&CAP:HIGH TEMPERATURE RESISTANCE PLASTIC  
 2.FINISH:  
 2-1 PLUNGER: 3u" Min GOLD PLATED ALL OVER 50u" NICKEL  
 2-2 TUBE: 1u" Min GOLD PLATED ALL OVER 50u" NICKEL  
 3.MECHANICAL SPECIFICATION:  
 3-1 SPRING FORCE:  
 WORKE STROKE:80±20gf at 4.0mm WORKING HEIGHT.  
 3-2 DURABILITY:10,000 CYCLES  
 3-3 USE RETURN FORCE AS SPRING FORCE  
 4.ELECTRICAL SPECIFICATION:  
 4-1 RATING CURRENT:1.0A AT 24V MAX.  
 4-2 CONTACT RESISTANCE:50 mOHMS MAX(INITIAL TEST)  
 5.ENVIRONMENTAL:  
 5-1 STORAGE AND OPERATING TEMPERATURE RANGE:  
 -40~+70°C  
 5-2 HUMIDITY RANGE:10%RH TO 90%RH.  
 6.PACKAGE:REEL AND TAPE



RECOMMENDED PCB LAYOUT  
 TOLERANCE(±0.05)

未注公差请参考下表		产品名称:		XUND 深圳市翊迅达光电有限公司				
X.	±0.25	X.*	±5'	POGO 2PIN 2.0PH 5.0H		SHENZHEN YIXUNDA PHOTOELECTRIC CO.,LTD.		
.X	±0.20	.X*	±2'			产品料号: PO-002-2090		
.XX	±0.15	.XX*	±1'	单位: mm	用途: 组装图	产品图号: QP2021011802C		
本图纸由深圳市翊迅达光电有限公司内部发行, 未经允许不得擅自拷贝、改动或带离公司。				第三视角	核准: Dongming.F	比例: 1:1 页次: 1/1 版次: A		
					审核: Kevin.D	设计: Kenny.H		
				文件存放路径:				